

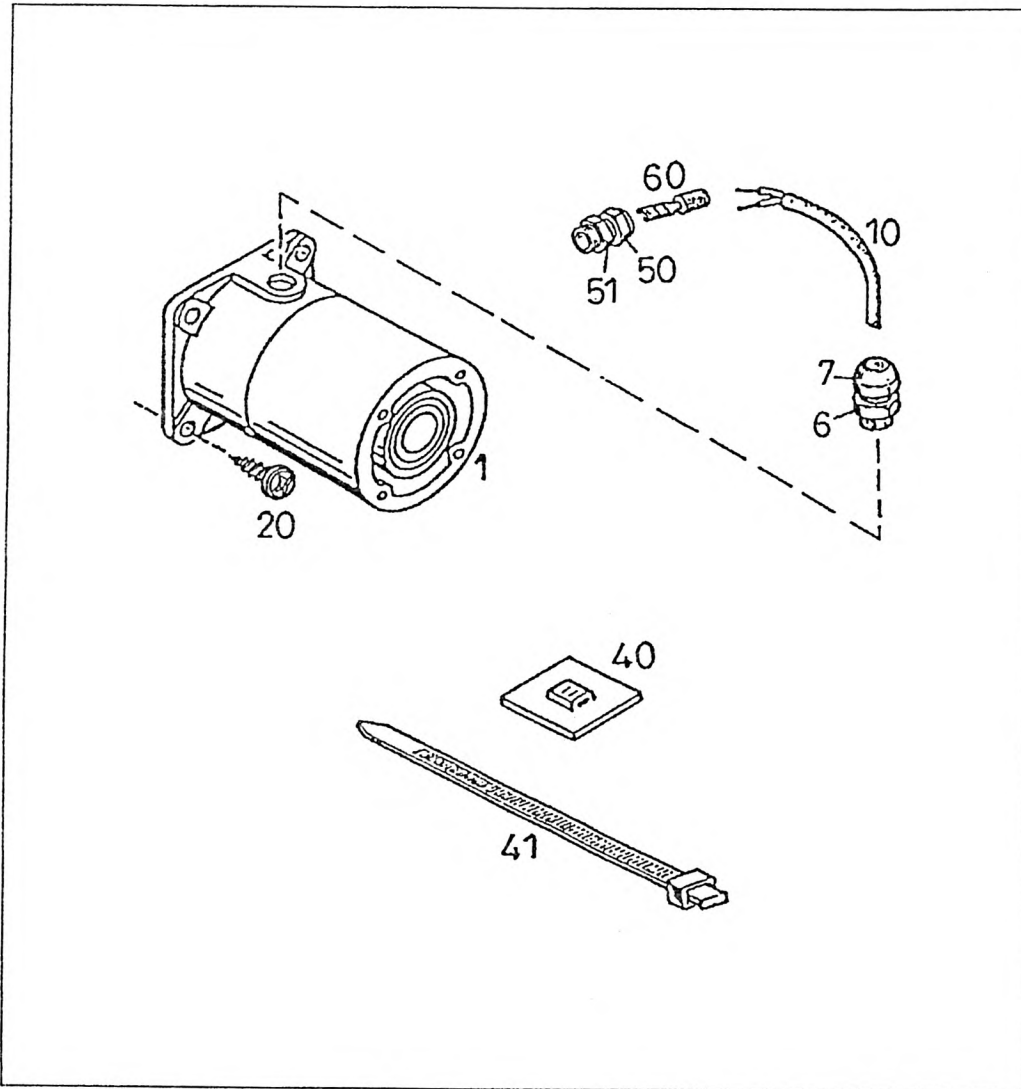
CAB ELECTR SYSTEM  
 KRANKAB.EL.-AKUST.WARN. LMB „GB“  
 SYSTEME ELECTR CABIN

997-077-56280

Figure  
 Bild  
 Figure

7756280

1731-01



| Item<br>Pos.<br>Réf | Part No.<br>Teil-Nr.<br>Pièce No | Designation<br>Benennung<br>Désignation                          | all<br>alle<br>tous | Qty/assy Stck/Variante<br>Pièce/ensemble |   |   |   |   |   |   |   | Figure<br>Bild<br>Figure |
|---------------------|----------------------------------|--|---------------------|--|---|---|---|---|---|---|---|--------------------------|
|                     |                                  |  |                     | A  | B | C | D | E | F | G | H |                          |
| 1                   | 997-077-18974                    | HORN<br>SIGNALHORN<br>AVERTISSEUR                                | 1                   |  |   |   |   |   |   |   |   |                          |
| 6                   | 997-084-01608                    | HEX NUT (Pg 9)<br>6KT-MUTTER<br>ECROU HEXAGONALE                 | 1                   |  |   |   |   |   |   |   |   |                          |
| 7                   | 997-084-01095                    | CABLE UNION ST9<br>KABELVERSCHRAUBUNG<br>RACCORD VISSE CABLE     | 1                   |  |   |   |   |   |   |   |   |                          |
| 10                  | 997-077-30983                    | CABLE 2x1<br>KABEL<br>CABLE SPECIAL                              | 3m                  |  |   |   |   |   |   |   |   |                          |
| 20                  | 997-009-35244                    | TAPPING SCREW 4,2x16<br>BLECHSCHRAUBE<br>VIS A TOLE              | 4                   |  |   |   |   |   |   |   |   |                          |
| 40                  | 997-002-71361                    | MOUNTING BASE<br>BEFESTIGUNGSSOCKEL<br>SOCLE DE FIXATION         | 5                   |  |   |   |   |   |   |   |   |                          |
| 41                  | 997-007-26789                    | CABLE TIE 4,8x188<br>KABELBINDER<br>ATTACHE CABLE                | 5                   |  |   |   |   |   |   |   |   |                          |
| 50                  | 997-084-13375                    | CABLE UNION Pg11<br>KABELVERSCHRAUBUNG<br>RACCORD VISSE CABLE    | 1                   |  |   |   |   |   |   |   |   |                          |
| 51                  | 997-085-11744                    | HEX NUT (Pg11)<br>6KT-MUTTER<br>ECROU HEXAGONALE                 | 1                   |  |   |   |   |   |   |   |   |                          |
| 60                  | 997-084-66745                    | FLAT PLUG SLEEVE 2,8-1<br>FLACHSTECKHUELSE<br>DOUILLE ENFICHABLE | 2                   |  |   |   |   |   |   |   |   |                          |